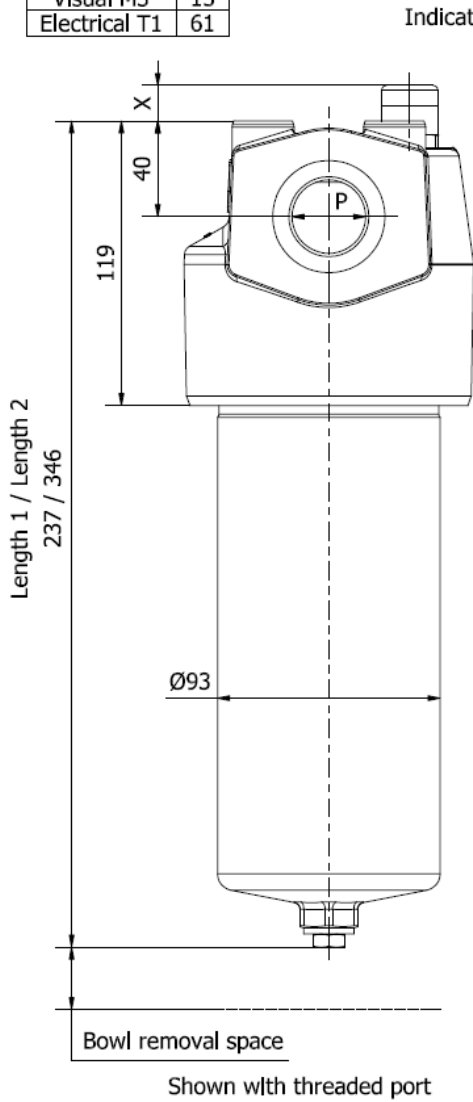
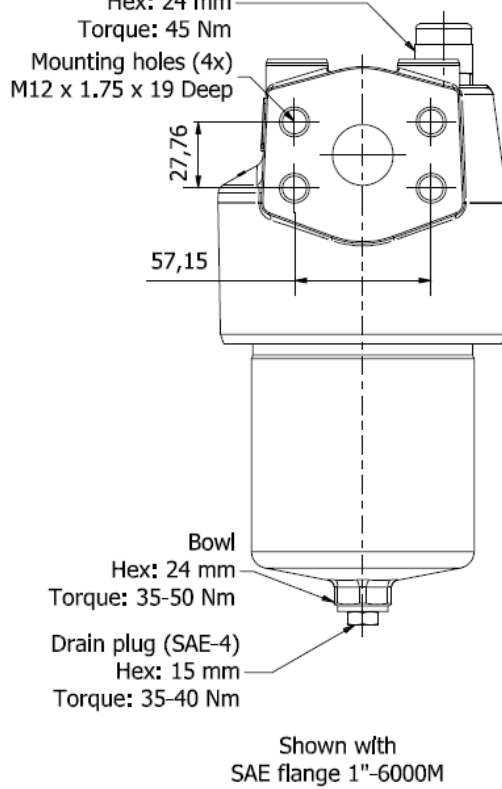


Indicator	x
Plugged	0
Visual M3	15
Electrical T1	61



Indicator (shown is visual M3)
Hex: 24 mm
Torque: 45 Nm
Mounting holes (4x)
M12 x 1.75 x 19 Deep



Bowl removal space	
Element	Value
Standard/High Strength	65
Reverse Flow	90